

**PAOLA
LENTI**

de de ce

Technical Sheet

Composable shading structure composed by a hexagon shaped roof and support side panels.

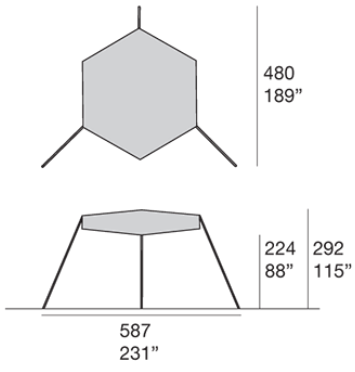
Roof frame: frame in extruded aluminium.

Panels frame: frame in extruded aluminium, cross beams in steel.

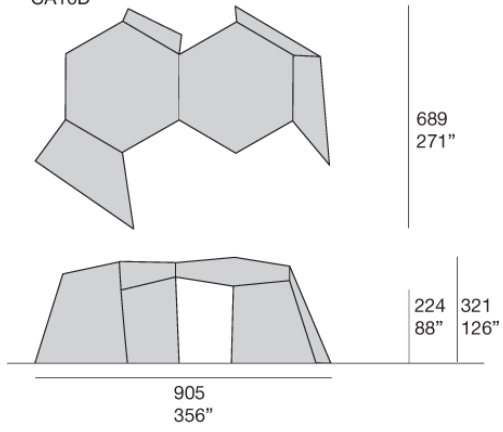
Cover: white polyester fabric, Madras and Tamil fabrics.

(technical drawings on following page)

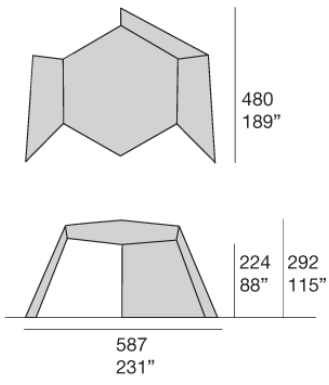
CA16C



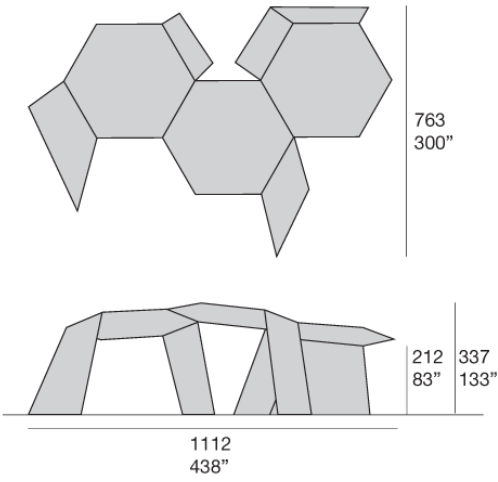
CA16D



CA16A



CA16B



CA16E

