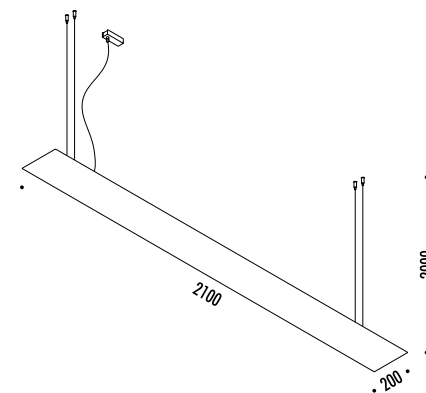



DESIGN 2008
LAMPADA A SOSPENSIONE - METALLO
SUSPENSION LAMP - METAL
ENERGY CLASS: A

BLADE

CE IP 20



138003	BIANCO OPACO / MATT WHITE	220 / 240 V - 50 / 60 Hz - 2 x 80 W - G5
147403	BIANCO OPACO VERSIONE DIM DALI / MATT WHITE DIM DALI VERSION	CAVO BIANCO - ROSONE BIANCO - LAMPADINE INCLUDE WHITE CABLE - WHITE CEILING ROSE - BULBS INCLUDED
		 COD. 5072042 FLUORESCENT - 2 x 80 W - 3000K - 2 x 7000 lm - EFFICIENCY A